

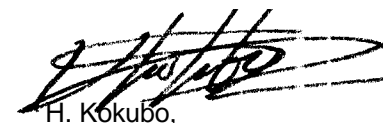
MODIFICATION BULLETIN NO. 1

ISSUED ON: July 15th, '96

Model		NA33 (VT3800/ Ges 5385/ Rex 1290/ ABD 6790/ SVN 3300DNP)					Code	Model Name	Serial Number
Modified Article		Component parts of the paper delivery table							
Reason for Modification		To stack copies more evenly on the paper delivery table							
Draw No.	Old Parts No.	New Parts No.	Description	Q'ty Used Old→New	Inter-changeability	Parts Catalog		Note	
						NO.	Page		
	C222 6101		Delivery Table Unit (LT)	1 → 0				The old description was incorrect.	
		C227 6101	Delivery Table Unit (A4)	0 → 1	X / O	*	45		
	C222 6265		Delivery Table Unit (A4)	1 → 0				The old description was incorrect.	
		C222 6271	Delivery Table Unit (LT)	0 → 1	X / O	*	45		
	C209 6159	C227 6159	End Fence Spring - Large	2 → 2	X / O	5	45		
	C209 6181		Front Guide Plate	1 → 0				The old description was incorrect.	
		C227 6146	Rear Guide Fence	0 → 1	X / X	22	45		
	C209 6182		Rear Guide Fence	1 → 0				The old description was incorrect.	
		C227 6147	Front Guide Fence	0 → 1	X / X	23	45		
	C209 6142	C227 6142	Guide Fence Slider	2 → 2	X / O	27	45		
	C209 6149	C227 6157	Guide Fence Spring	2 → 2	X / O	28	45		

Interchangeability:

The mark to the left of the slash indicates whether the old part can be used in the new machine, and the mark to the right indicates whether the new part can be used in the old machine.
 x = Not interchangeable o = Interchangeable



H. Kokubo,
 Priport Service Planning Section

MODIFICATION BULLETIN NO. 1

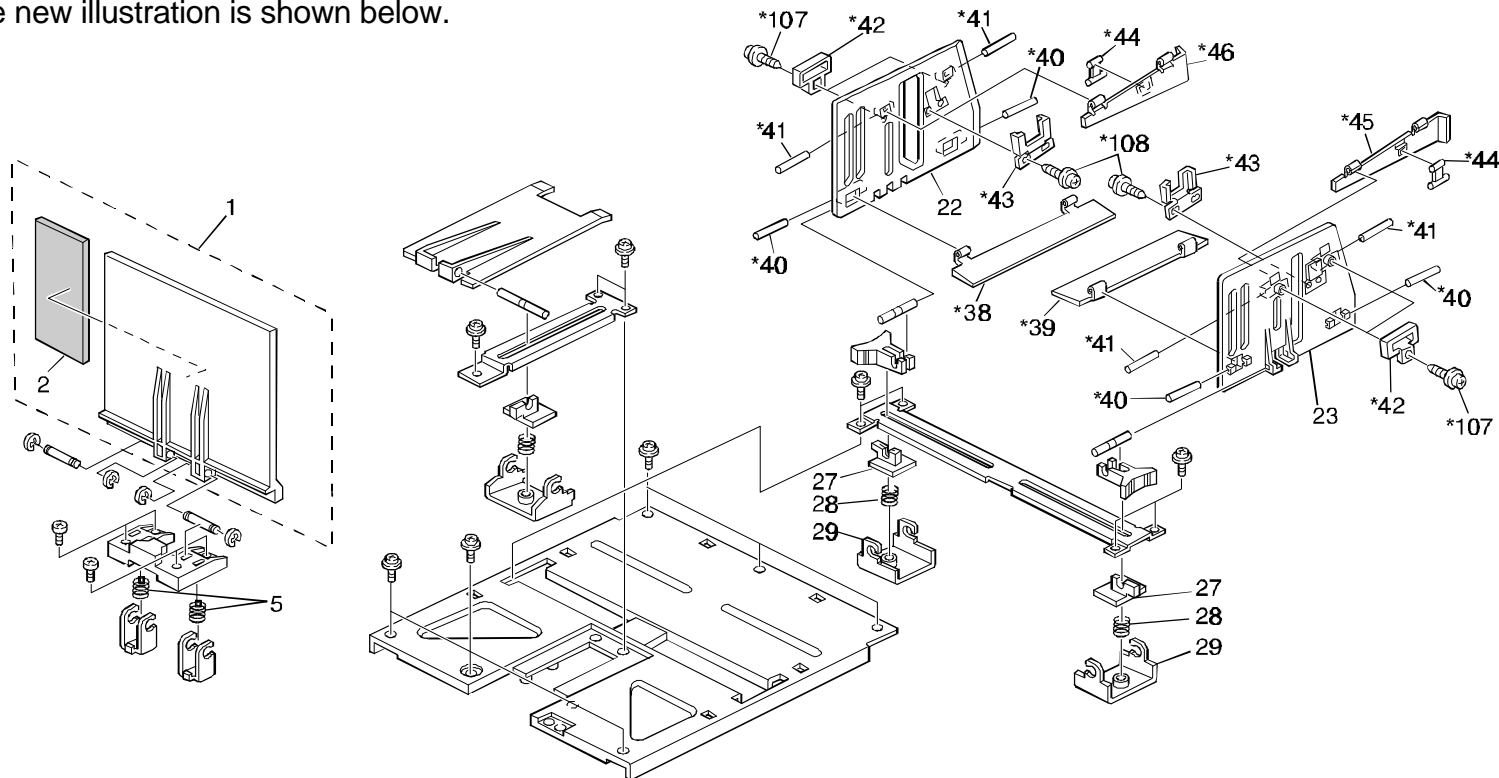
ISSUED ON: July 15th, '96

Draw No.	Old Parts No.	New Parts No.	Description	Q'ty Used Old→New	Inter-change-ability	Parts Catalog		Note
						NO.	Page	
	C2096145	C227 6145	Guide Fence Bracket	2 → 2	X / O	29	45	
	C209 6184	C227 6184	End Fence	1 → 1	X / O	1	45	
	C209 6156		Sponge Seal - 4.5 x 65 x 175	2 → 0				
		C227 6196	End Fence Cushion	0 → 1	X / X	2	45	
		C227 6166	Lower Guide - Rear Fence (A4)	0 → 1		*38	45	
		C222 6166	Lower Guide - Rear Fence (LT)	0 → 1		*38	45	
		C227 6167	Lower Guide - Front Fence (A4)	0 → 1		*39	45	
		C222 6167	Lower Guide - Rear Fence (LT)	0 → 1		*39	45	
		C227 6155	Lower Guide Shaft	0 → 4		*40	45	
		C227 6156	Upper Guide Shaft	0 → 4		*41	45	
		C227 6158	Guide Stopper	0 → 4		*42	45	
		C227 6160	Upper Guide Spring Plate	0 → 2		*43	45	
		C227 6162	Upper Guide Link	0 → 2		*44	45	
		C227 6172	Upper Guide - Front Fence	0 → 1		*45	45	
		C227 6173	Upper Guide - Rear Fence	0 → 1		*46	45	
		04504008W	Philips Tapping Screw - M4x8	0 → 4		*107	45	
		04503008W	Philips Tapping Screw - M3x8	0 → 4		*108	45	

*: New Index

DETAILS OF MODIFICATION

To stack the copies more evenly on the paper delivery table, some component parts of the table have been changed as described on the previous pages. (For details, refer to RTB-012.) The new illustration is shown below.




* : New Index

MODIFICATION BULLETIN NO. 1

ISSUED ON: July 15th, '96

MODEL NAME	V/Hz	DESTINATION	CODE	SERIAL NUMBER
Ges 5385 / Rex 1290 / NSA CP385	120/60	USA, Canada	C223-12	A146060001
Ricoh VT3800	120/60	USA, Canada	C223-17	C3436060001
A.B.Dick 6790	120/60	USA, Canada	C223-18	A2236060001
Ges 5385 / Rex 1290 / NSA CP385	220, 240/50	Europe, Asia	C223-22	A136060001
Ricoh VT3800	220, 240/50	Europe	C223-27	C3436060001
Ricoh VT3800	220, 240/50	Asia	C223-29	C3436060001
SAVIN 3300DNP	120/60	USA, Canada	C223-15	S2236060001

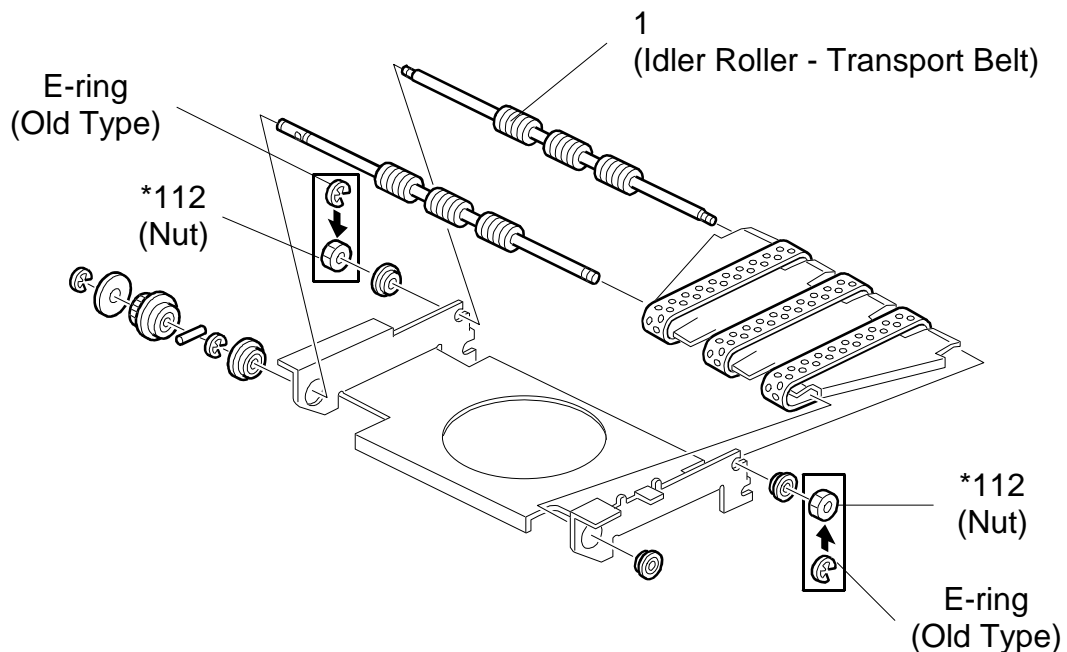
Model: PRIPORT NA33		Date: 15-Apr-98	No: 02
Modified Article: Paper Delivery Roller		Prepared by: 	
From: Priport Service Planning Section		H. Kokubo	
Classification: <input checked="" type="checkbox"/> Parts catalog correction <input type="checkbox"/> Vendor change <input type="checkbox"/> To meet standards <input type="checkbox"/> To facilitate assembly <input checked="" type="checkbox"/> To improve reliability () <input type="checkbox"/> Part standardization <input type="checkbox"/> Other ()			
Model Name: Ricoh VT3800, Gestetner 5385, RexRotary 1290, nashuatec CP385, ABDICK 6790, SVN 3300DNP			

Due to part standardization, the idler roller used in the paper delivery vacuum unit (Idler Roller - Transport Belt) has been modified. Both ends of the roller shaft have been threaded to fit with nuts instead of E-rings (Retaining Ring - M4), as shown below.

The new type removes any thrust play between the roller shaft and bearings, and will improve durability (shaft wear will be reduced).


NOTE: The new part can only be used in combination with two nuts (#07120060Z).

Old #		New #	Description	Qty	Int	Page	Index	Note
C209 6019		C223 6019	Idler Roller - Transport Belt	1 - 1	X/X	39	1	
0720 0040Z	┌		Retaining Ring - M4	2 - 0			101	
		└	0712 0060Z	Hexagon Nut - M6	0 - 2	X/X	39	*112



Model: PRIPORT NA33**Date:** 15-Apr-98**No: 02**

Model Name	V/Hz	Destination	Code	Serial Number
Ges 5385, Rex 1290, Nsa CP385	120/60	USA, Canada	C223-12	A147070001
Savin 3300DNP	120/60	USA, Canada	C223-15	S2238010001
Ricoh VT3800	120/60	USA, Canada	C223-17	C3437070001
ABDICK 6790	120/60	USA	C223-18	–
Ges 5385, Rex 1290, Nsa CP385	230/50	Europe, etc.	C223-22	A137070001
Ricoh VT3800	230/50	Europe	C223-27	C3437070075
Ricoh VT3800	230/50	Asia, etc.	C223-29	C3437070149

Model: PRIPORT NA33		Date: 15-Jun-99	No: MC223003
Modified Article: Upper and Lower Master Eject Belts		Prepared by: 	
From: Priport Service Planning Section		H. Kokubo	
Classification: <input type="checkbox"/> Parts catalog correction <input type="checkbox"/> Vendor change <input type="checkbox"/> To meet standards <input type="checkbox"/> To facilitate assembly <input checked="" type="checkbox"/> To improve reliability () <input type="checkbox"/> Part standardization <input type="checkbox"/> Other ()			
Model Name:			
Ricoh VT3800, Gestetner 5385, RexRotary 1290, nashuatec CP385, ABDICK 6790, SVN 3300DNP			

The upper and lower master eject belts have been changed as follows. The new parts have more tolerance against stretching when used over a long period of time.

Old #	New #	Description	Qty	Int	Page	Index
C219 3605	C219 3611	Upper Belt	5 → 5	X/O	75	28
C219 3606	C219 3612	Lower Belt	5 → 5	X/O	75	29



Model: PRIPORT NA33**Date:** 15-Jun-99**No:** MC223003**CUT IN SERIAL NUMBERS**

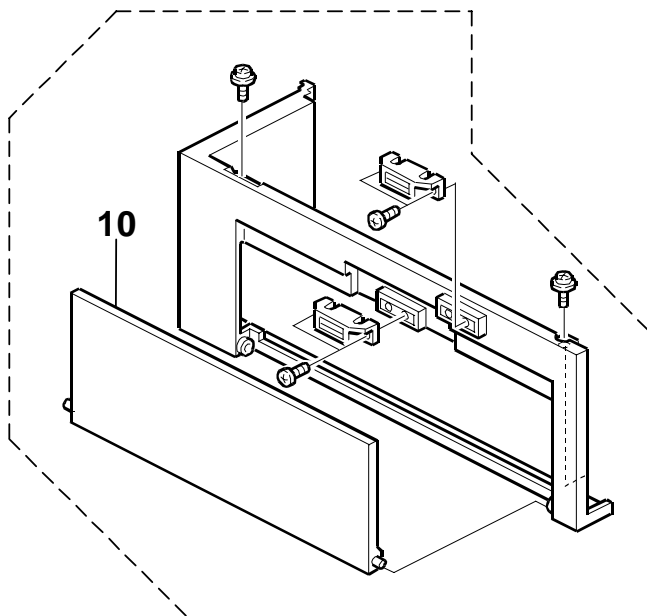
Model Name	V/Hz	Destination	Code	Serial Number
Ges 5385, Rex 1290, Nsa CP385	120/60	USA, Canada	C223-12	A14 9040001
Savin 3300DNP	120/60	USA, Canada	C223-15	S223 9040001
Ricoh VT3800	120/60	USA, Canada	C223-17	C343 9040001
ABDICK 6790	120/60	USA	C223-18	-
Ges 5385, Rex 1290, Nsa CP385	230/50	Europe, etc.	C223-22	A13 9040001
Ricoh VT3800	230/50	Europe	C223-27	C343 9040001
Ges 5385	230/50	China	C223-28	-
Ricoh VT3800	230/50	Asia, etc.	C223-29	C343 9040001

Model: PRIPORT NA33	Date: 10-Jun-04	No: M-C223-004
Modified Article: Parts catalog correction	Prepared by:	
From: Priport Service Planning Section	M. Kanomata	
Classification: <input checked="" type="checkbox"/> Parts catalog correction <input type="checkbox"/> Vendor change <input type="checkbox"/> To meet standards <input type="checkbox"/> To facilitate assembly <input type="checkbox"/> To improve reliability () <input type="checkbox"/> Part standardization <input type="checkbox"/> Other ()		
Model Name: Ricoh VT3800, Gestetner 5385, RexRotary 1290, nashuatec CP385, ABDICK 6790, Savin 3300DNP		

Please apply the following P/N correction to your Parts Catalogues (parts registration revision).

Old #	New #	Description	Qty	Int	Page	Index
C2182456	C2182455	Master Eject Door	1	-	79	10

NOTE: The C2182455 door contains a magnet catch plate.



Model: PRIPORT NA33**Date:** 10-Jun-04**No:** M-C223-004**CUT IN SERIAL NUMBERS**

Model Name	V/Hz	Destination	Code	Serial Number
Ges 5385, Rex 1290, Nsa CP385	120/60	USA, Canada	C223-12	-
Savin 3300DNP	120/60	USA, Canada	C223-15	-
Ricoh VT3800	120/60	USA, Canada	C223-17	-
ABDICK 6790	120/60	USA	C223-18	-
Ges 5385, Rex 1290, Nsa CP385	230/50	Europe, etc.	C223-22	-
Ricoh VT3800	230/50	Europe	C223-27	-
Ges 5385	230/50	China	C223-28	-
Ricoh VT3800	230/50	Asia, etc.	C223-29	-